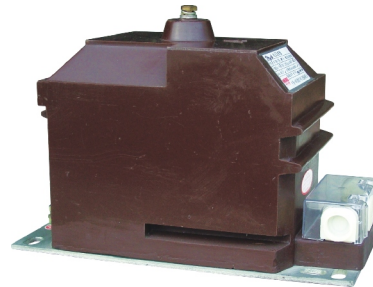


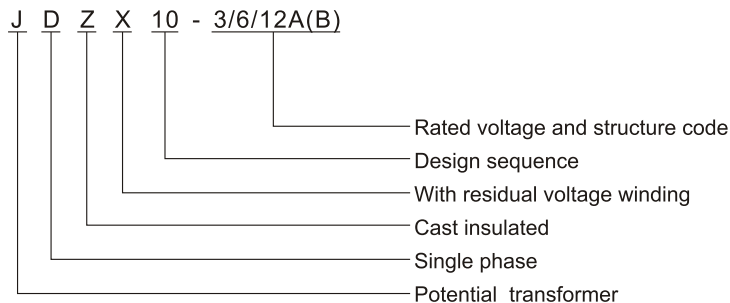
JDZX10-3/6/12A(B) (REL- 12) Voltage Transformer

Summary

The potential transformers of the types JDZX10-3/6/12A(B)(REL-12) are single phase, casting resin insulated and full enclosed products. They are used for metering electric energy, voltage control and relay protection in the electric non-usefrl-groundd neutral system up to rated frequency 50Hz or 60Hz and rated voltage 3kV, 6kV and 12kV. The transformers can be executed according to the standards IEC60044-2 and GB1207-2006.



Model



Technical specification

1. The voltage transformers are in accordance with IEC60044-2 and GB1207-2006 "potential transformer" standards;
2. Power factor of load: $\text{COS } \phi = 0.8$ (lagging);
3. Surface creepage distance: the product accords with the request of class II ;
4. The other technical data see following table.

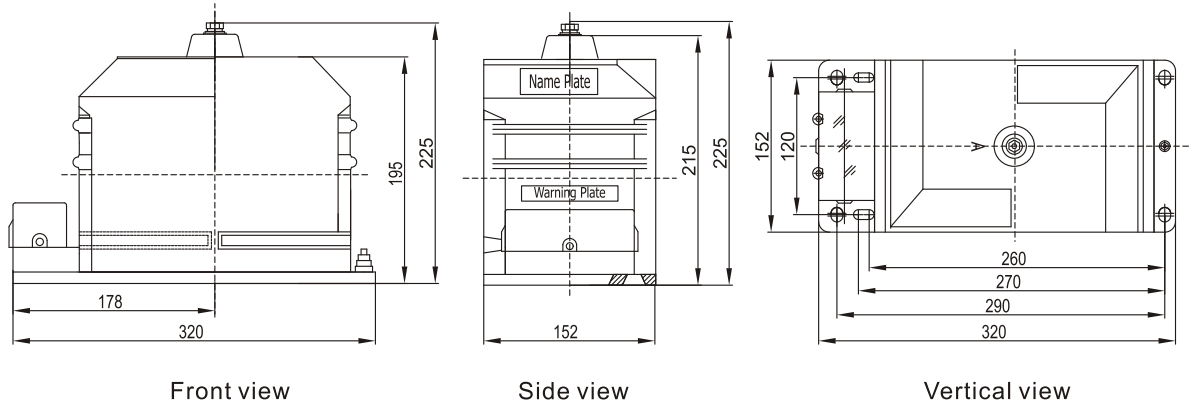
Type	Rated voltage ratio(V)	Frequency (Hz)	Accuracy class and rated output(VA)				Limit output(VA)	Rated insulation level(kV)	Remark
			0.2	0.5	1	6P			
JDZX10-3A	3000/√3/100/√3/100/3	50,60	15	30	60	50	150	3.6/25/40	The same to REL10
JDZX10-6A	6000/√3/100/√3/100/3		15	30	60	50	150	7.2/32/60	
JDZX10-12A	11000/√3/110/√3/110/3		15	30	60	50	150	12/42/75	
JDZX10-3B	3000/√3/100/√3/100/3		25	50	90	50	400	3.6/25/40	
JDZX10-6B	6000/√3/100/√3/100/3		25	50	90	50	400	7.2/32/60	
JDZX10-12B	11000/√3/110/√3/110/3		25	50	90	50	400	12/42/75	

Structure feature

The outlet of the primary winding, including the respective terminal is insulated from the earth to a level which corresponds to the rated insulation value. The transformers are mostly equipped with two secondary windings, the first one for either measuring or protection purposes, the other for being connected into an open-delta connection in a three-phase system. One terminal of each secondary winding has to be earthed during the transformer operation. The transformers are fixed by four screws; the M8 bolted earthed clamp is located on the transparent cover made of plastic.

Outline dimension

JDZX10-12A Outline dimension



JDZX10-12B Outline dimension

